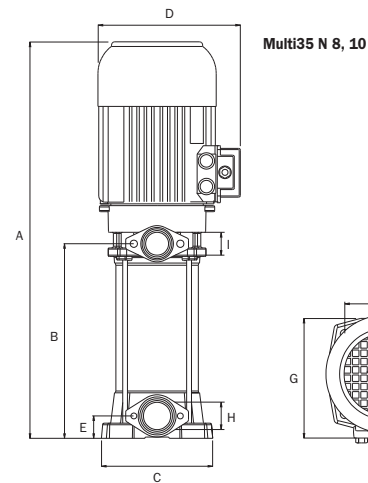
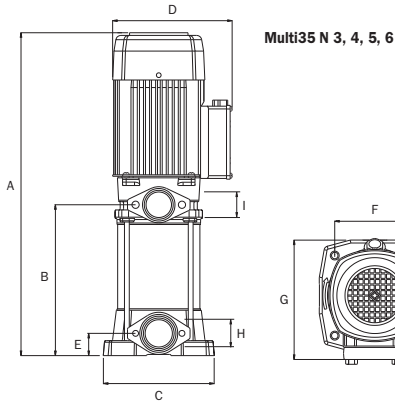
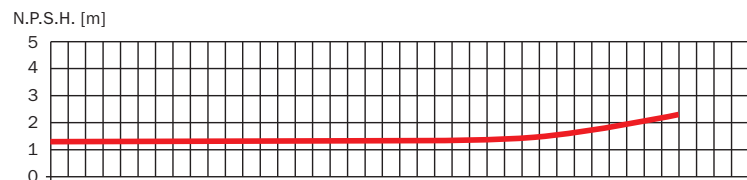
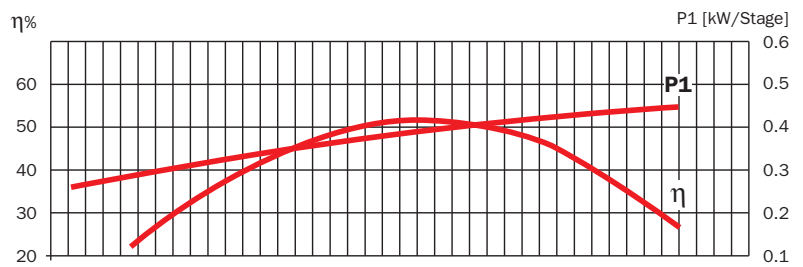
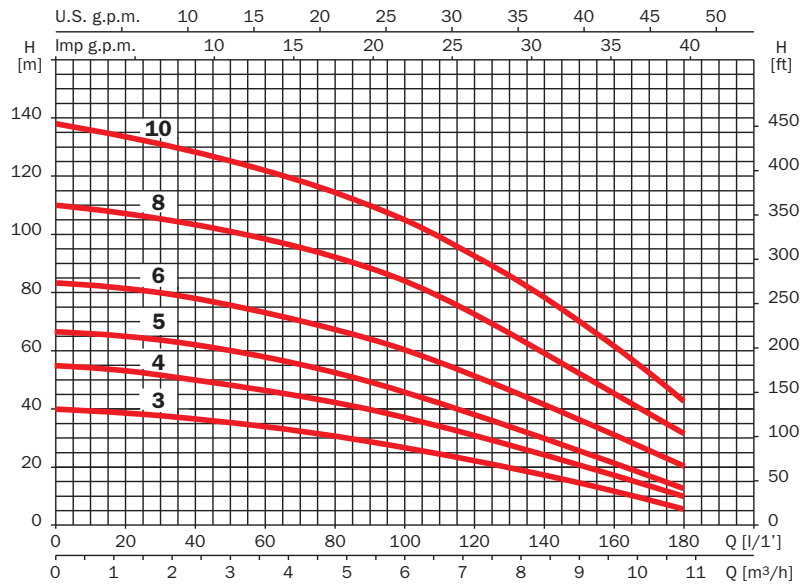


Multi35 N



Curvas de funcionamiento a 2900 r.p.m.
Performance curves at 2900 r.p.m.



	A	B	C	D	E	F	G	H	I	Kg
Multi35 3 N	487	201,5	184	203	37	133	201	1 ^{1/2} "	1 ^{1/4} "	20,2/20
Multi35 4 N	511,5	226	184	203	37	133	201	1 ^{1/2} "	1 ^{1/4} "	22,4/20,4
Multi35 5 N	536	250,5	184	203	37	133	201	1 ^{1/2} "	1 ^{1/4} "	25,1/22,7
Multi35 6 N	561	275	184	203	37	133	201	1 ^{1/2} "	1 ^{1/4} "	25,7
Multi35 8 N	657,5	323	184	233	37	133	201	1 ^{1/2} "	1 ^{1/4} "	32,6
Multi35 10 N	707,5	373	184	233	37	133	201	1 ^{1/2} "	1 ^{1/4} "	39,4

230 V 50 Hz	230/400 V 50 Hz	A			P1 (kW)		kW	HP	μF	l/1' m³/h	17	33	50	75	100	125	150	175
		1~ 230 V	3~ 230 V 400 V		1~	3~					1	2	3	4.5	6	7.5	9	10.5
Multi35 3M N	Multi35 3 N	6.7	4.5	2.6	1.5	1.4	0.75	1	25		39	37.5	35.5	31.5	27	21	15	7
Multi35 4M N	Multi35 4 N	8.4	5.3	3.1	1.8	1.8	1.1	1.5	25		54	51	48	44	37	29.5	21	11.8
Multi35 5M	Multi35 5 N	10.2	6.9	4	2.3	2.2	1.5	2	30		65.4	63.5	60	54.5	46	36	26.2	15
	Multi35 6 N		8.3	4.8		2.7	2	3			82	79.5	76	69	61	49	36.7	23
	Multi35 8 N		11.9	6.5		3.6	3	4			108	105	101	93	85	70	53	35
	Multi35 10 N		15.4	8.9		4.9	4	5.5			134	130	125	117	105	90	70	47